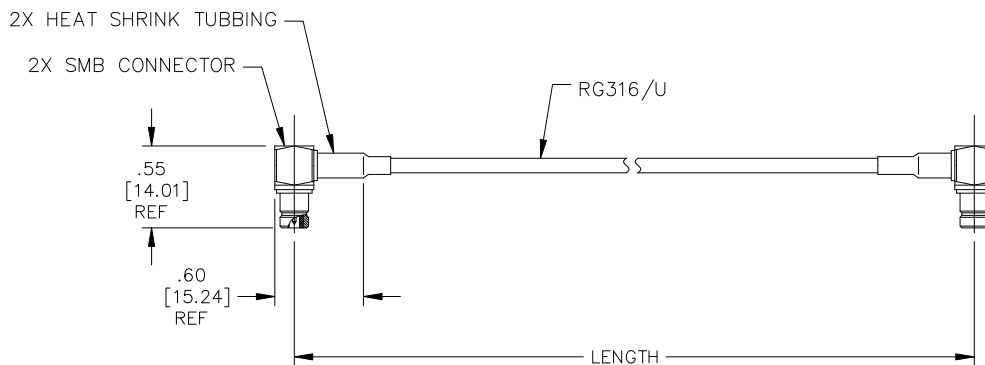


**Model 73073**

SMB Right-Angle Jack to SMB Right-Angle Jack, RG316/U



Model 73073  
SMB Right-Angle Jack to SMB Right-Angle Jack,  
RG316/U

Snap-on coupling and small size  
for fast connect and disconnect

**Features**

- DC - 3GHz bandwidth.
- Connectors are precision machined and gold-plated for low loss.
- Small size and durability for RF coaxial applications.

**Materials**

SMB Male Connectors:  
Center Contact: Phosphor Bronze, Gold Plated  
Connector Body: Brass, Gold Plated  
Crimp Ferrule: Copper, Nickel Plated  
Insulators: PTFE

**Specifications**

<b>Cable Type</b>	RG316/U
<b>Impedance</b>	50Ω
<b>Frequency Range</b>	DC - 3GHz
<b>Insulation Resistance</b>	≥ 1000 MΩ
<b>Insulator Withstand</b>	750V
<b>Temperature Range</b>	-65° C to +165°C (-85°F to +329°F)
<b>Jacket</b>	FEP
<b>Cable O.D.</b>	0.098" (2.5mm)
<b>Center Conductor (mm)</b>	7 x .18 silver coated copper covered steel

**Ordering Information**

Model: **73073**  
Cable Designator: **BB** = RG316/U  
Standard Lengths: **6", 12", 24", 36", 48"**  
- 6" ± .118" (152mm ± 3mm)  
- 12" ± .157" (305mm ± 4mm)  
- 24" ± .275" (610mm ± 7mm)  
- 36" ± .394" (914mm ± 10mm)  
- 48" ± .512" (1219mm ± 13mm)

Ordering Example: **73073-BB-24**, Cable is RG316/U  
with length of 24" (610mm)

 敏盛企業有限公司  
http://www.mavin.com.tw

免責聲明  
資料僅供參考，若有與原廠不合之處，請以原廠規格為準，且不提供任何證明文件之用  
TEL:03-5970828 FAX:03-5972622 新竹湖口工業區工業四路3號2F

USA: Sales: 800-490-2361  
Technical Support: [technicalsupport@pomonatest.com](mailto:technicalsupport@pomonatest.com)  
Fax: 425-446-5844

Europe: 31-(0) 40 2675 150 International: 425-446-5500  
Where to Buy: [www.pomonaelectronics.com](http://www.pomonaelectronics.com)

All dimensions are in inches. Tolerances (except noted): .xx = ±.02" (.51 mm), .xxx = ±.005" (.127 mm). All specifications are to the latest revisions. Specifications are subject to change without notice. Registered trademarks are the property of their respective companies.