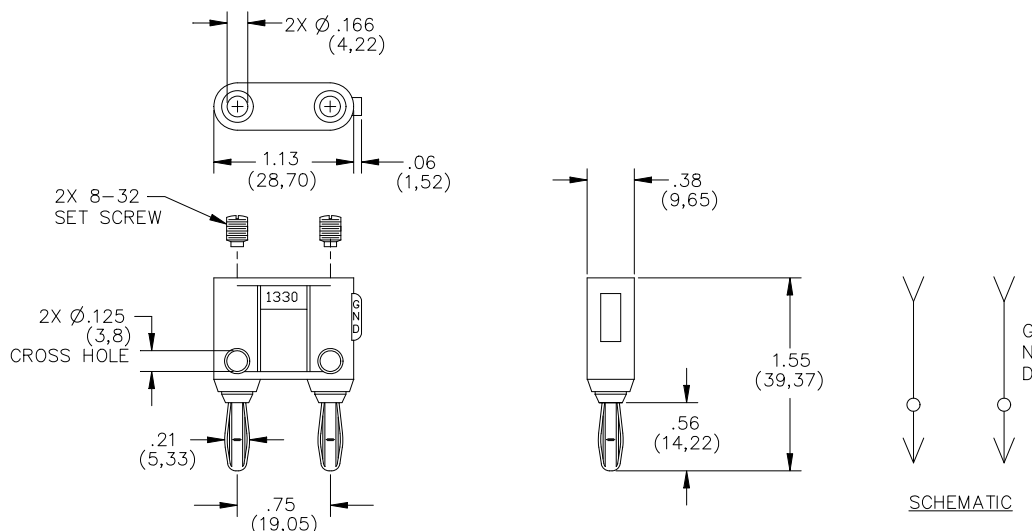


Model 1330
Double Banana Plug with Component Mounting Area



Model 1330
Double Banana Plug with
Component Mounting Area



Features

- Features a recessed area for mounting small discrete components with set screws.
- For test versatility, banana plugs can be vertically and horizontally stacked to the adapter.
- The banana plug features nickel plated beryllium copper for tarnish resistance & long insertion life.

Materials

Banana Plugs/Jacks:

- Body: Brass, Nickel Plated
- Spring: Beryllium Copper, Nickel Plated

Insulation:

- Material: Polypropylene molded to Banana Jack and Banana Plug bodies.

- Marking: "1330, POMONA ELECTRONICS CO., INC, POMONA CALIFORNIA"

- Set Screws: #8-32 Single Slot, Steel, Zinc Plated

Specifications

Operating Voltage:

Hands free usage in controlled voltage environments: 5000 Vrms maximum.

For CE compliance: not intended for hand-held use at voltages above 33 Vrms/70 Vdc.

Operating Temperature: +50°C (+122°F) Max.

Current: 15 Amperes

Ordering Information

Model: 1330-*

*=Color, Standard Colors: -0 (Black), -2 (Red)

Ordering Example: 1330-2 (Color is Red)

USA: Sales: 800-490-2361
Technical Support: technicalsupport@pomonatest.com
Fax: 425-446-5844

Europe: 31-(0) 40 2675 150 **International:** 425-446-5500

Where to Buy: www.pomonaelectronics.com

All dimensions are in inches. Tolerances (except noted): .xx = ±.02" (.51 mm), .xxx = ±.005" (.127 mm). All specifications are to the latest revisions. Specifications are subject to change without notice. Registered trademarks are the property of their respective companies.