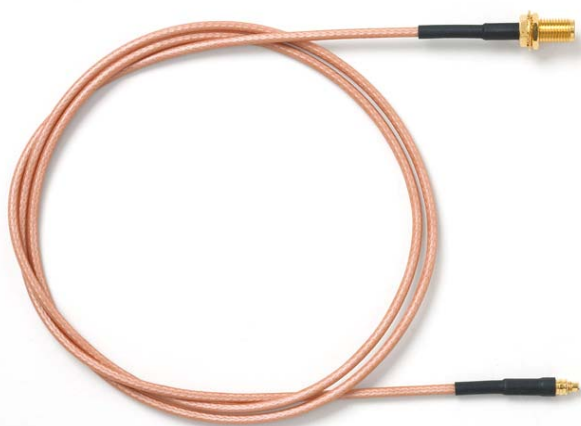
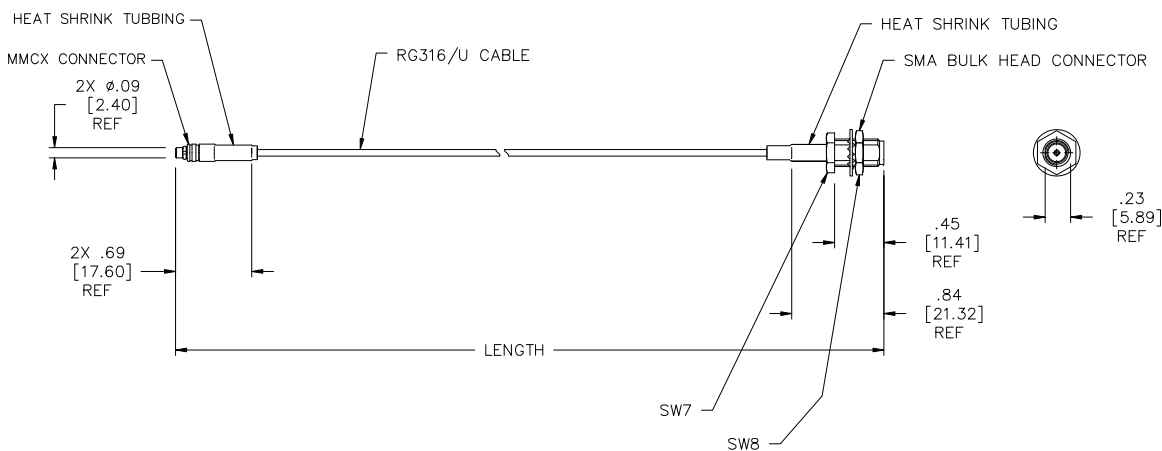


Model 73065

MMCX Plug to SMA Bulkhead Jack, RG316/U



Model 73065
MMCX Plug to SMA Bulkhead Jack, RG316/U

Small size, and durability for
confident connections

Materials

MMCX Male Connector:

Center Contact: Phosphor Bronze, Gold Plated
Connector Body: Brass, Gold Plated
Crimp Ferrule: Copper, Nickel Plated
Insulators: PTFE

SMA Female Connector:

Center Contact: Beryllium Copper, Gold Plated
Connector Body: Brass, Gold Plated
Crimp Ferrule: Copper, Nickel Plated
Insulators: PTFE

Features

- DC - 3GHz bandwidth.
- Connectors are precision machined and gold-plated for low loss.
- Perfect for applications where space, weight, performance and ease of connection are required.

Specifications

Cable Type	RG316/U
Impedance	50Ω
Frequency Range	DC - 3GHz
Insulation Resistance	≥ 500 MΩ
Insulator Withstand	500V
Temperature Range	-55° C to +155°C (-67°F to +311°F)
Jacket	FEP
Cable O.D.	0.098" (2.5mm)
Center Conductor (mm)	7 x .18 silver coated copper covered steel

Ordering Information

Model: **73065**

Cable Designator: **BB** = RG316/U

Standard Lengths: **12", 24", 36", 48"**

- 12" ± .157" (305mm ± 4mm)
- 24" ± .275" (610mm ± 7mm)
- 36" ± .394" (914mm ± 10mm)
- 48" ± .512" (1219mm ± 13mm)

Ordering Example: **73065-BB-36**, Cable is RG316/U
with length of 36" (914mm)

USA: Sales: 800-490-2361
Technical Support: technicalsupport@pomonatest.com
Fax: 425-446-5844

Europe: 31-(0) 40 2675 150 International: 425-446-5500

Where to Buy: www.pomonaelectronics.com

All dimensions are in inches. Tolerances (except noted): .xx = ±.02" (.51 mm),
.xxx = ±.005" (.127 mm). All specifications are to the latest revisions.
Specifications are subject to change without notice. Registered trademarks are
the property of their respective companies.